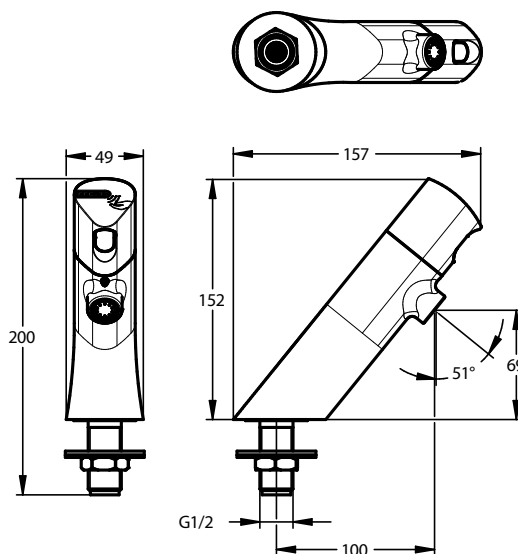


TECHNICAL DATA SHEET

PRESTO®

Range: PRESTO SAFE

Ref: 64681 - Single deck-mounted sensor tap - 1,9l/min



> Working pressure :

- 2 to 5 bar

> Flow :

- 1.9 l/min with integrated spray flow regulator
- High quality anti-limescale aerator
- Anti-water-hammering design

> Flow time:

- 7 sec adjustable with PRESTOCOM : <http://www.presto.fr/whatabout/prestocom/>
- Sensor trigger suitable for elderly and disabled people

> Hydraulic supply :

- G 1/2" (15x21) - Cold or premixed water

> Power supply :

- Integrated 9Vlithium battery

> Material and colour finish :

- Brass body
- Chrome finishing

> Thermal resistance :

- Resistant to a temperature of 75°C for 30-minute-thermal-shocks

> Security :

- Automatic shutdown of solenoid valve in case of power failure or sensor error
- Duty flush 30 sec each 24h after last use (adjustable flow time and frequency)
- Low battery alert (blinking led light)

> Delivered with :

- 1 Brass clamping nut
- 1 Gasket and 1 Washer
- 1 Filter gasket
- 1 Self-adhesive sticker
- Instruction manual

> Standards & approvals :

- Brass body in accordance with NF EN1982, EN12164, NF EN 12165, UBA list compliant
- 200-hour neutral salt spray resistant (NSS) in accordance with NF ISO 9227
- ACS

